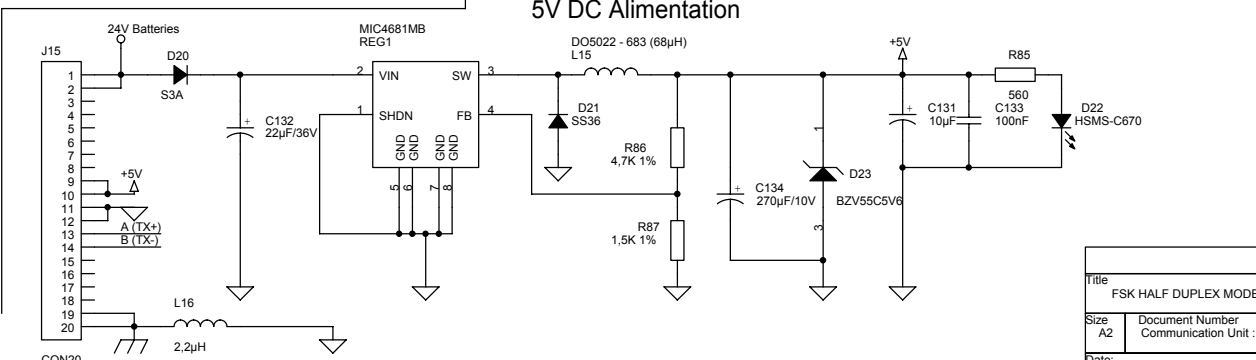
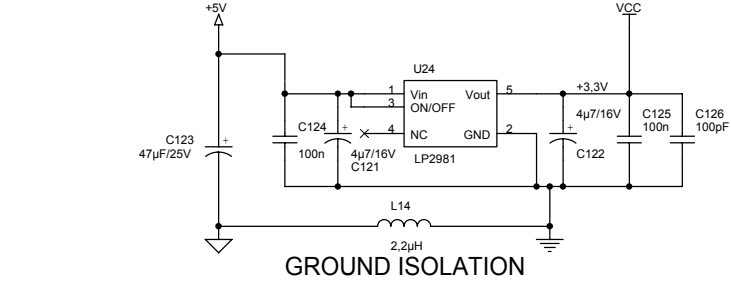
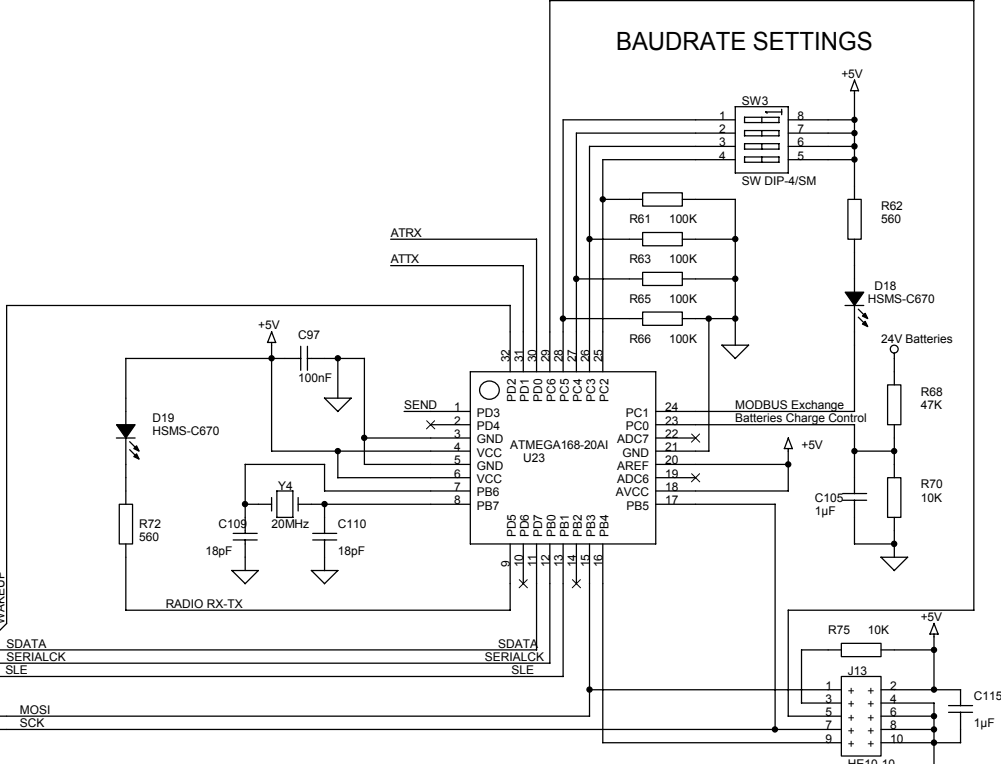
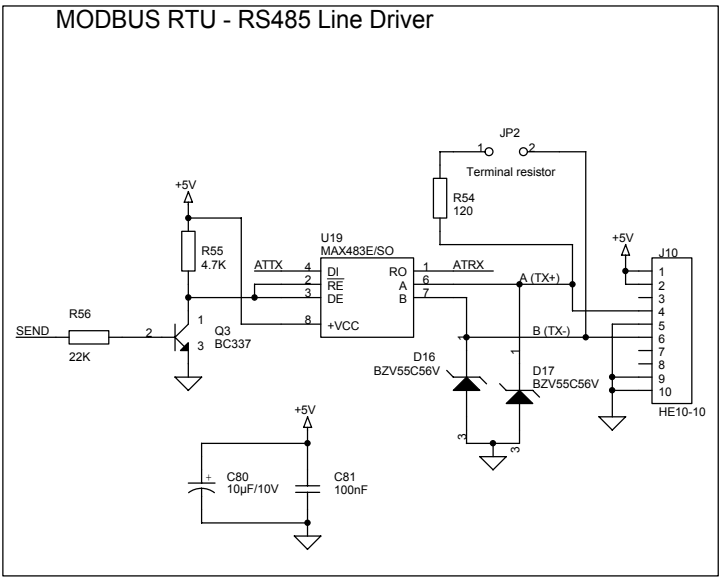
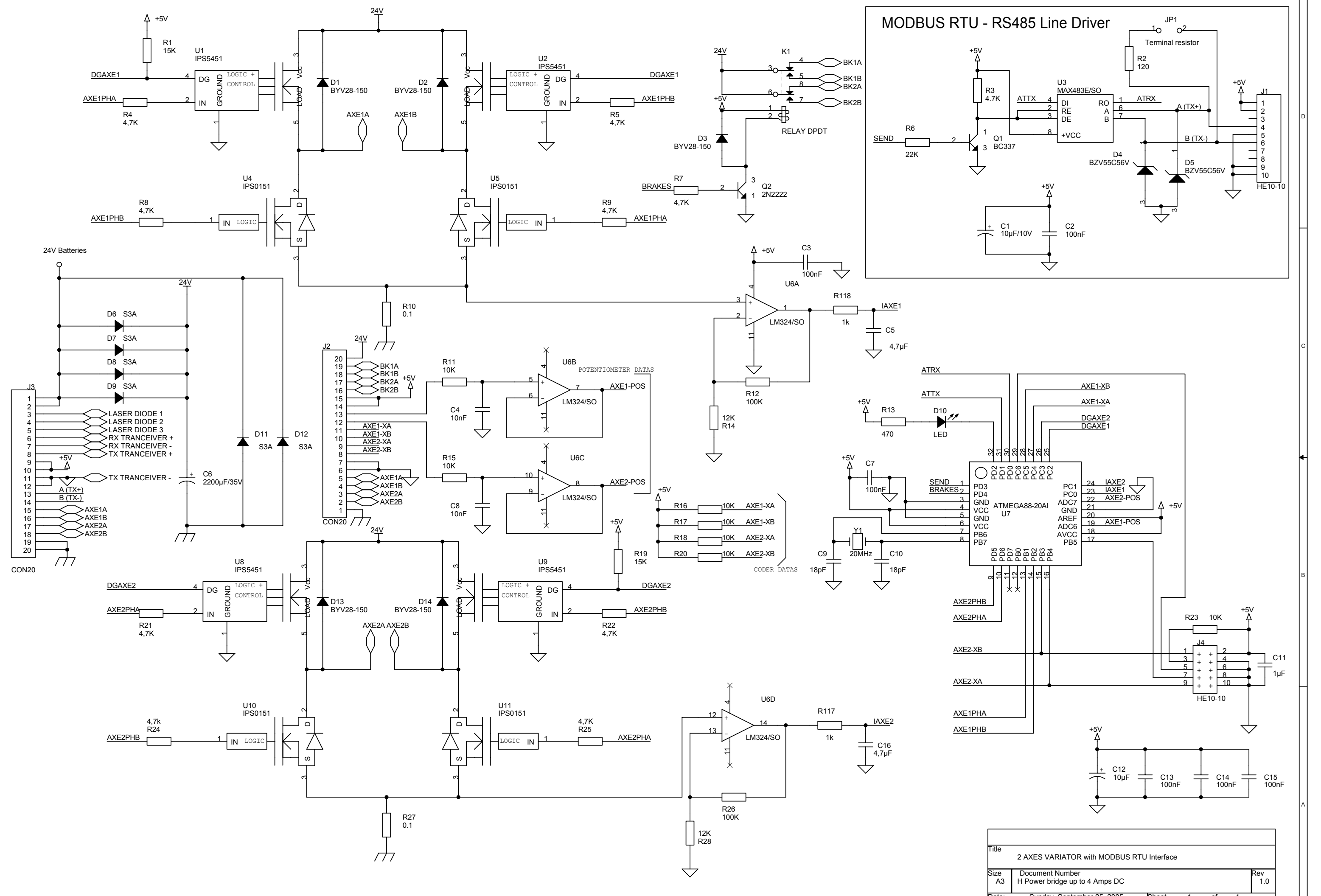


PCB EMC ISOLATION



Title		
FSK HALF DUPLEX MODEM HARDWARE - LOW POWER VERSION (+14 dBm)		
Size	Document Number	Rev
A2	Communication Unit : MODEM with MODBUS RTU - RS485 Interface	1.0
Date:	Sheet 3 of 4	



Title		
2 AXES VARIATOR with MODBUS RTU Interface		
Size	Document Number	Rev
A3	H Power bridge up to 4 Amps DC	1.0
Date:	Sunday, September 25, 2005	Sheet 1 of 4